

## KD Circular Duct Fans

### Compact and powerful inline fan

- Low profile
- High performance
- Indoor and outdoor installation
- Robust and reliable

[Find more details in our online catalogue.](#)



#### Flexible

The KD fans are intended to use for **supply** or **extract** air, designed to be installed in **any position**. This ensures that the fans can be used in a variety of **commercial** and **domestic** applications.

#### Durable

The galvanized steel casing of KD fans permits **outdoor** and **indoor** use. The construction of motor ensures to minimize the need for maintenance of the fans and allows long **reliable operation**.

#### Compact

The KD series have external rotor motors with a **mixed-flow impeller** which reduces the dimensions of the fans and have a **high performance** in relation to their compact design.

#### Accessories

KD fans can be selected together with a wide range of **accessories** as fast clamps, heaters, filters, dampers, etc.

## Features

#### Construction

Casing made of **galvanized metal sheet**.  
Casing supplied with preinstalled **brackets** to make installation easier.  
Fans are equipped with an external **terminal box** with protection class **IP55**.

#### Impeller

KD fans have mixed-flow impeller. These are made of aluminium, coated in black, dynamically **balanced** and paired with corresponding external rotor motors.

#### Motor

KD fans are equipped with **AC** external rotor motors supported by **long-life** ball bearings.

#### Motor protection

KD fans have **integrated thermal contacts** with leads to external motor protection device.

#### Control

**Motors** of KD fans can be controlled by **5-step** or **stepless** speed regulator.

#### Installation

KD fans can be installed in any position **indoor** and **outdoor**. Spigot with 25 mm length is perfectly designed to connect circular duct by **fast clamps preventing vibration** to the duct.

## Technical parameters

### Nominal data

|   |           |      |
|---|-----------|------|
| Voltage (nominal)   | 230       | V    |
| Frequency   | 50        | Hz   |
| Phases  | 1~        |      |
| Input power   | 257       | W    |
| Input power kW  | 0.257     | kW   |
| Input current   | 1.14      | A    |
| Impeller speed  | 2,562     | rpm  |
| Air flow  | max 0.368 | m³/s |
| Capacitance of capacitor                                  | 6         | µF   |
| Temperature of transported air                            | max 55    | °C   |
| Max temperature of transported air, when speed controlled | 46        | °C   |

### Sound data

|   |    |       |
|---|----|-------|
| Sound pressure level at 3m (20m² Sabin) | 53 | dB(A) |
|---|----|-------|

### Protection/Classification

|                        |      |
|------------------------|------|
| Enclosure class, motor | IP44 |
| Insulation class       | F    |

### Data according to ErP

|           |                  |
|-----------|------------------|
| ErP ready | Not ErP relevant |
|-----------|------------------|

### Dimensions and weights

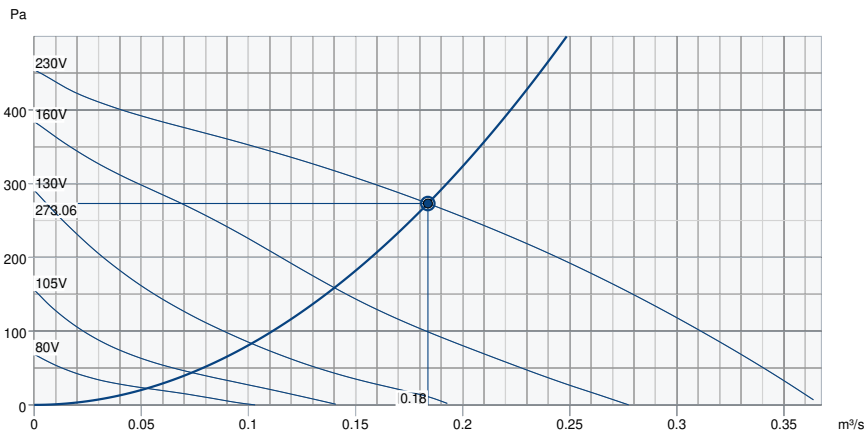
|                                  |     |    |
|----------------------------------|-----|----|
| Duct dimension; Circular, inlet  | 200 | mm |
| Duct dimension; Circular, outlet | 200 | mm |
| Weight                           | 6.8 | kg |

### Others

|                      |          |
|----------------------|----------|
| Duct connection type | Circular |
| Motor type           | AC       |

**Performance**

**Performance curve**

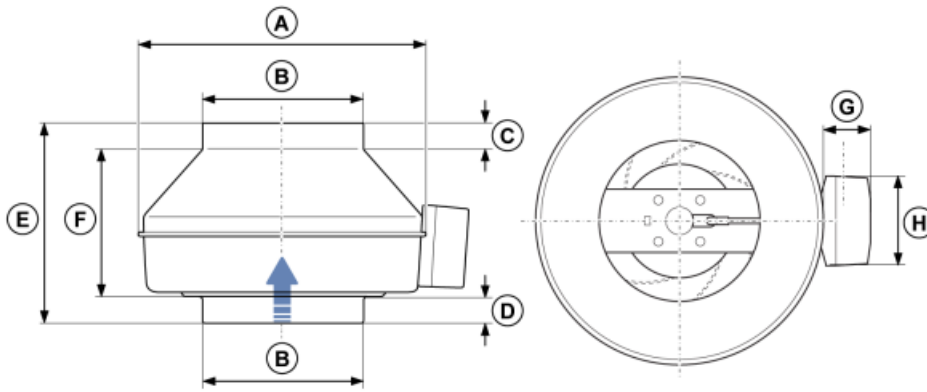


**Hydraulic data**

|                          |               |
|--------------------------|---------------|
| Required air flow        | 0.18 m³/s     |
| Required static pressure | 273 Pa        |
| Working air flow         | 0.18 m³/s     |
| Working static pressure  | 273 Pa        |
| Air density              | 1.204 kg/m³   |
| Power                    | 239.8 W       |
| Fan control - RPM        | 2,611 rpm     |
| Current                  | 1.07 A        |
| SFP                      | 1.305 kW/m³/s |
| Control voltage          | 230.0 V       |
| Supply voltage           | 230 V         |

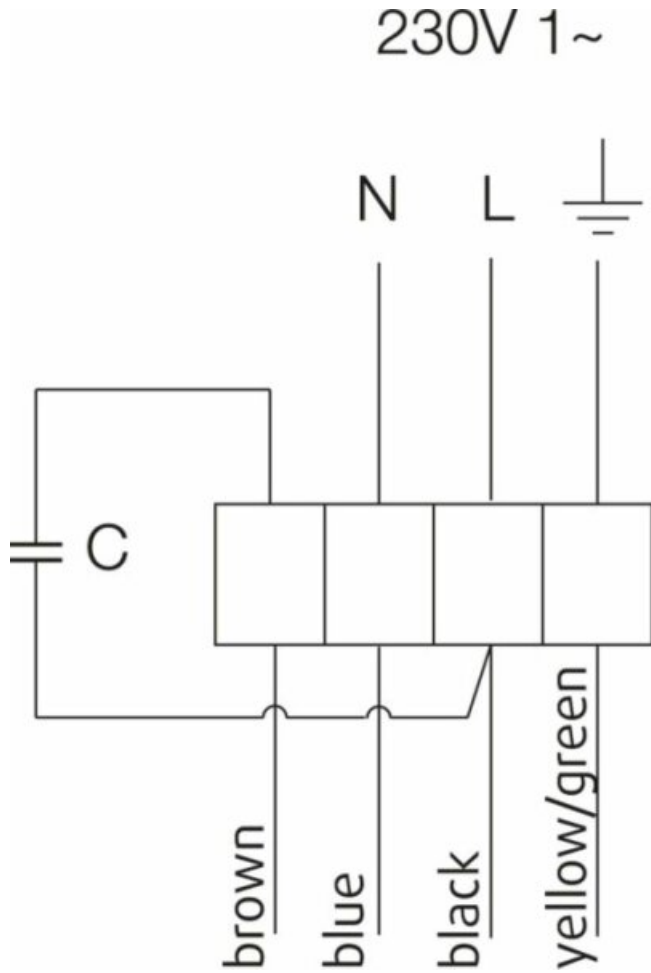
| Sound power level                        |       | 63 | 125 | 250 | 500 | 1k | 2k | 4k | 8k | Total |
|--|-------|----|-----|-----|-----|----|----|----|----|-------|
| Inlet                                    | dB(A) | 61 | 71  | 72  | 76  | 71 | 64 | 64 | 57 | 79    |
| Outlet                                   | dB(A) | 58 | 72  | 76  | 76  | 76 | 78 | 75 | 73 | 84    |
| Surrounding                              | dB(A) | 27 | 27  | 46  | 55  | 56 | 53 | 48 | 39 | 60    |
| Sound pressure level at 3m (20m² Sabine) | dB(A) | -  | -   | -   | -   | -  | -  | -  | -  | 53    |
| Sound pressure level at 3m free field    | dB(A) | -  | -   | -   | -   | -  | -  | -  | -  | 39    |

**Dimension**



| øA  | B   | øC  | D   | D/2 |
|-----|-----|-----|-----|-----|
| 313 | 180 | 198 | 380 | 190 |

Wiring



- U1 = blue = blau
- U2 = black = schwarz
- Z = brown = braun
- PE = yellow/green = grün-gelb

## Accessories

- Frequency converter FRQ5SE-6A (37421)
- REE 2 Speed control (5316)
- REU 1.5 Speed control (5004)
- SG 200 Protection guard (5609)
- DTV500A (96807)
- HR1 Room Humidistat (215150)
- Presence detector/IR24-P (6995)
- VBF 200 Water heating battery (1732)
- CB 200-3,0 230V/1 Duct heater (5370)
- CB 200-5,0 400V/2 Duct heater (5371)
- CBMF 200-3,0 230V/1 Duct heater (12245)
- CWK 200-3-2,5 Duct cooler,circ (30023)
- FGR 200 Filter cassette (1812)
- LDC 200-300 Silencer (53369)
- LDC 200-900 Silencer (5195)
- THB 200 Hood w.cover pl. black (134465)
- VBC 200-2 Water heating batt (5459)
- VK-20 Louvre shutter (5639)
- RE 1,5 Speed control (5000)
- REPT 6 Digital regulator (5698)
- REV-3POL/03-7,5kW R/Y (33978)
- VKK-200 Back draft damper (1626)
- Frequency converter FRQSE-6A (37419)
- IGK-200 Wall Grid (1633)
- RT 0-30 Room Thermostat (5151)
- CB 200-2,1 230V/1 Duct heater (5384)
- CB 200-3,0 400V/2 Duct heater (5294)
- CBM 200-5,0 400V/2 Duct heater (5483)
- CBMF 200-5,0 400V/2 Duct heater (12246)
- FFR 200 Filter cassette (1773)
- FK 200 Fast clamp (1611)
- LDC 200-600 Silencer (5194)
- RSK-200 Back draft damper (5602)
- THS 200 Hood w.cover pl. black (134466)
- VBC 200-3 Water heating batt (9841)

## Documents

- [INSTALLATION\\_\\_OPERATION\\_AND\\_MAINTENANCE\\_INSTRUCTION\\_KD\\_EN\\_002.PDF](#)
- [COMMISSIONING\\_RECORD\\_FANS\\_\\_EN.PDF](#)